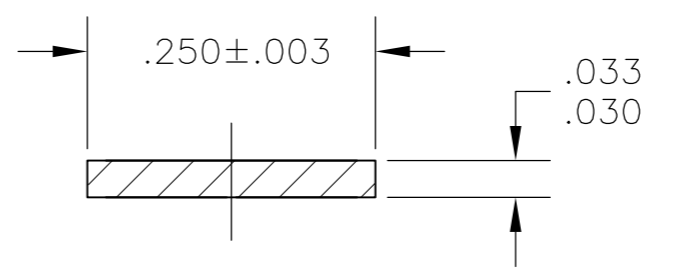
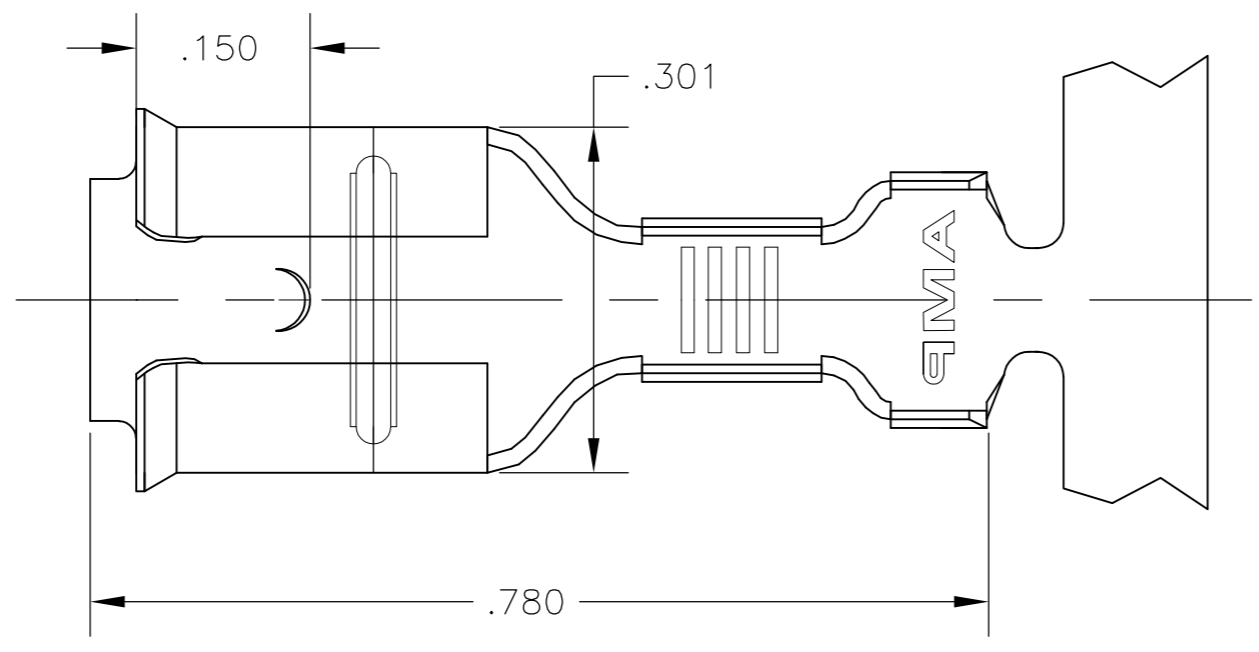


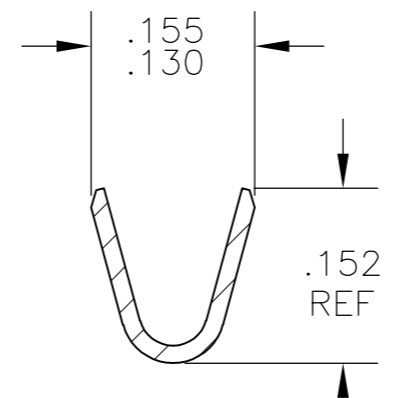
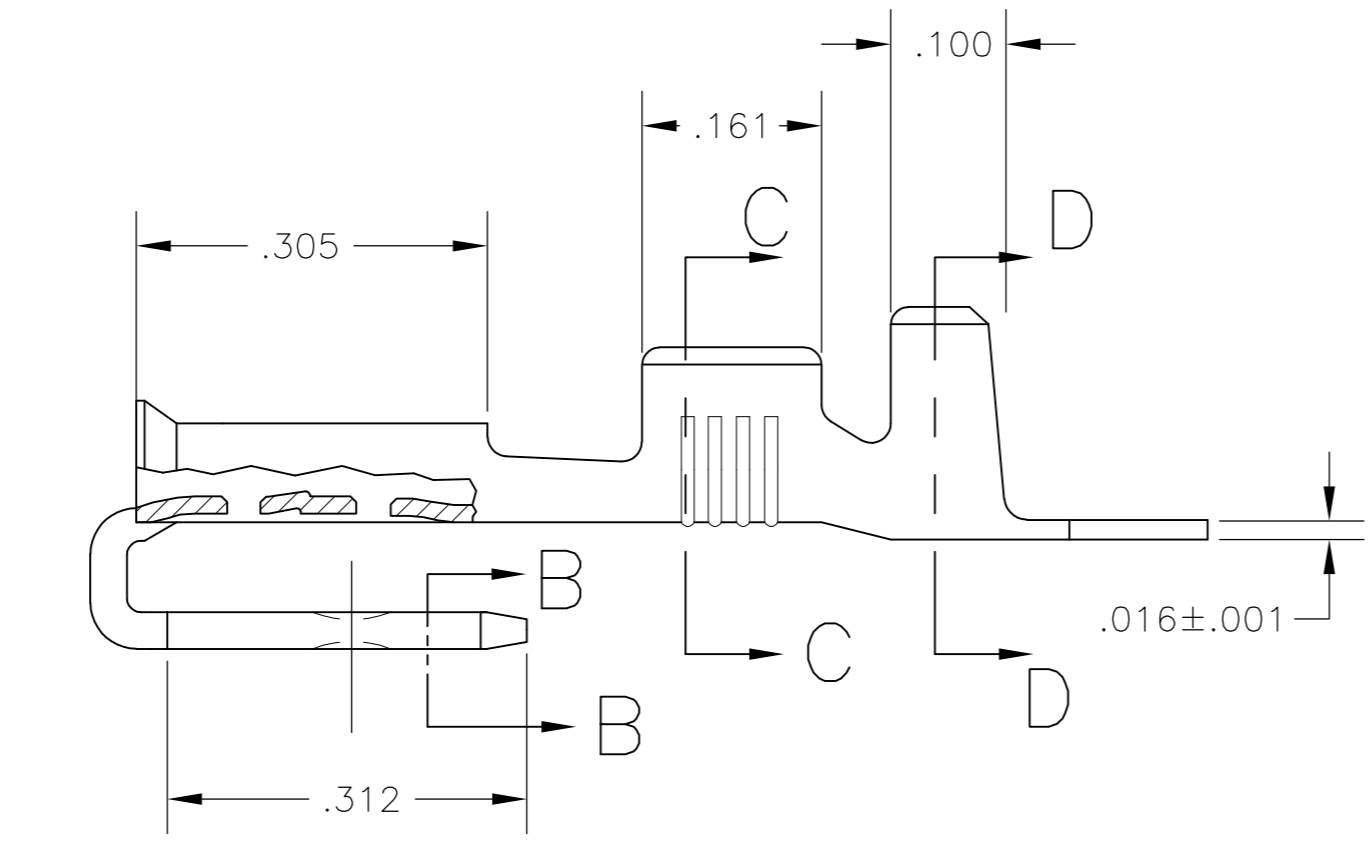
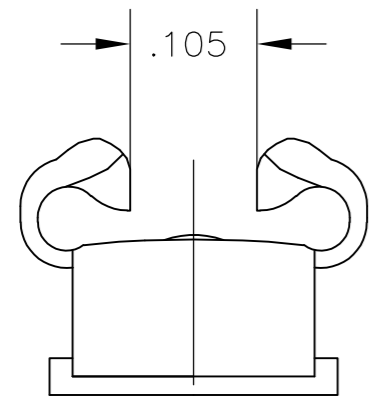
THIS DRAWING IS UNPUBLISHED. RELEASED FOR PUBLICATION
 © COPYRIGHT - By - ALL RIGHTS RESERVED.

LOC		DIST		REVISIONS			
P	LTR	DESCRIPTION		DATE	DWN	APVD	
AF	50	J	REVISED PER ECR-12-013459	27NOV2012	KH	PD	

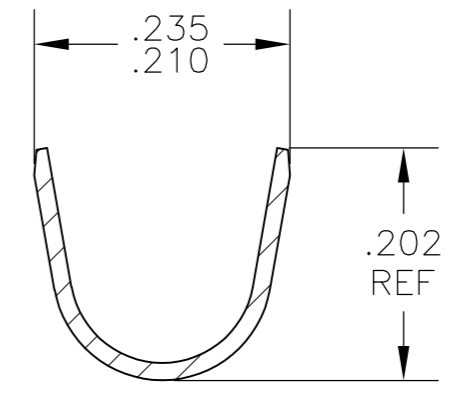
- 1 CONTINUOUS STRIP ON REELS
- 2 MATING TAB THK IS $.032 \pm .001$.
- 3 WIRE SIZE IS #18-#14 AWG
CRIMP WIDTH IS .110, F TYPE
- 4 INSULATION RANGE IS .120-.170 DIA.
CRIMP WIDTH IS .180, F TYPE



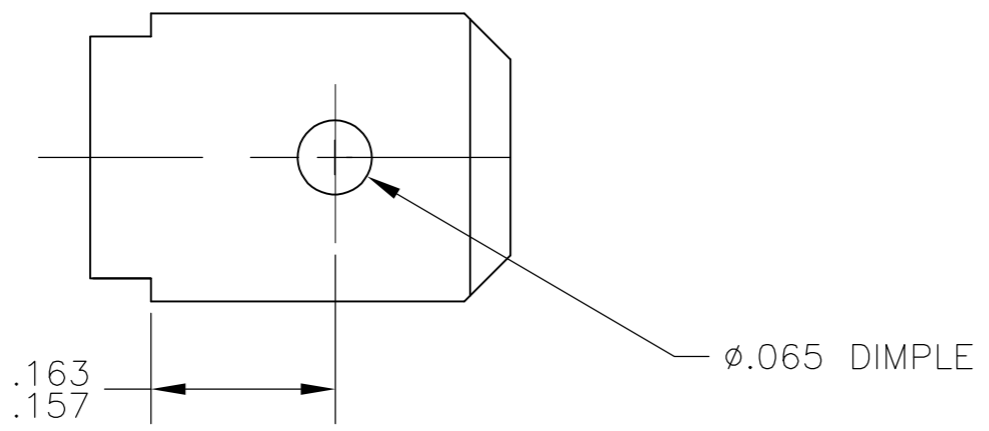
SECTION B-B



SECTION C-C



SECTION D-D



BRASS / TIN	62109-2
BRASS / PLAIN	62109-1
MATL. / FINISH	PART NO.

THIS DRAWING IS A CONTROLLED DOCUMENT.		DWN	JR RUTH	29JUL02	 TE Connectivity																		
DIMENSIONS: INCHES		CHK	P DESANTIS	29JUL02																			
TOLERANCES UNLESS OTHERWISE SPECIFIED:		APVD	P DESANTIS	29JUL02																			
<table border="1"> <tr><td>0 PLC</td><td>±</td><td>-</td></tr> <tr><td>1 PLC</td><td>±</td><td>-</td></tr> <tr><td>2 PLC</td><td>±</td><td>-</td></tr> <tr><td>3 PLC</td><td>±</td><td>.015</td></tr> <tr><td>4 PLC</td><td>±</td><td>-</td></tr> <tr><td>ANGLES</td><td>±</td><td>-</td></tr> </table>		0 PLC	±	-		1 PLC	±	-	2 PLC	±	-	3 PLC	±	.015	4 PLC	±	-	ANGLES	±	-	PRODUCT SPEC	NAME	
0 PLC	±	-																					
1 PLC	±	-																					
2 PLC	±	-																					
3 PLC	±	.015																					
4 PLC	±	-																					
ANGLES	±	-																					
MATERIAL	SEE TABLE	FINISH	SEE TABLE	APPLICATION SPEC	114-2082	SIZE	A2	CAGE CODE	00779	DRAWING NO	C=62109	RESTRICTED TO	-										
CUSTOMER DRAWING		WEIGHT	-	SCALE	6:1	SHEET	1 of 1	REV	J														